


ONLEVEL

ONLEVEL

INFINITY **SLIDE 69**
FOR GLASS AND
WOODEN DOORS



Different surface finishes

EV1, C31 or C35 anodised running track, or powder-coated in your preferred colour

Different glass thicknesses

8 - 10.76 mm glass
(tempered or laminated safety glass)

Versatile range of handles

Finish matched with running track

Innovative bottom guide

Matching finish of handles & running track

FOREVER INFINITY

Oh yes, we're kicking up our heels again and the walls start to crumble. Not because Forrest Gump paid us a visit but because **INFINITYSLIDE** is that cool that even the surrounding dirt bows in deference. That is why we have put off everything else just to present this sliding door to you. **INFINITYSLIDE** can be mounted that simply and intuitively that you can have a cushy number and could easily watch the Forrest Gump movie in the meantime. And that's why:

- | The bottom guide for glass can be unfolded in a way that the installation almost goes by itself.
- | The bottom guide for wood can be adjusted in a way that the door practically takes its place by itself.
- | The height adjustment is pre-assembled that well that the glass automatically locks in place in the centre.
- | This fitting more or less cleans itself because it has integrated brushes both in the front and in the rear.
- | The running track has an integrated collection channel for any dirt.

You shouldn't put off this recommendation nor should you put the blame on your colleagues: **INFINITYSLIDE** is a true world debut and we actually wouldn't even need to advertise it - it already promotes itself.

Our Colour Selection



Aluminium



similar to stainless steel, polished



Stealth Black, polished



Powder-coated surface as per RAL (on request)

Essential Features

- | Wall, ceiling or fixed sidelight mounting
- | For tempered and laminated safety glass: 8 - 10.76 mm doors or for wooden doors: 35 - 42 mm doors
- | Finishes: EV1, C31, C35, or powder-coated on request
- | Single or double doors
- | Matching handle range
- | Optionally available with soft closing system
- | Optionally available with wall distance profile

INFINITYSLIDE 69 | CLAMPING JAW FOR GLASS

Fast adjustment
8 mm = standard
10 mm = adaptor brackets

Two clamping screws only

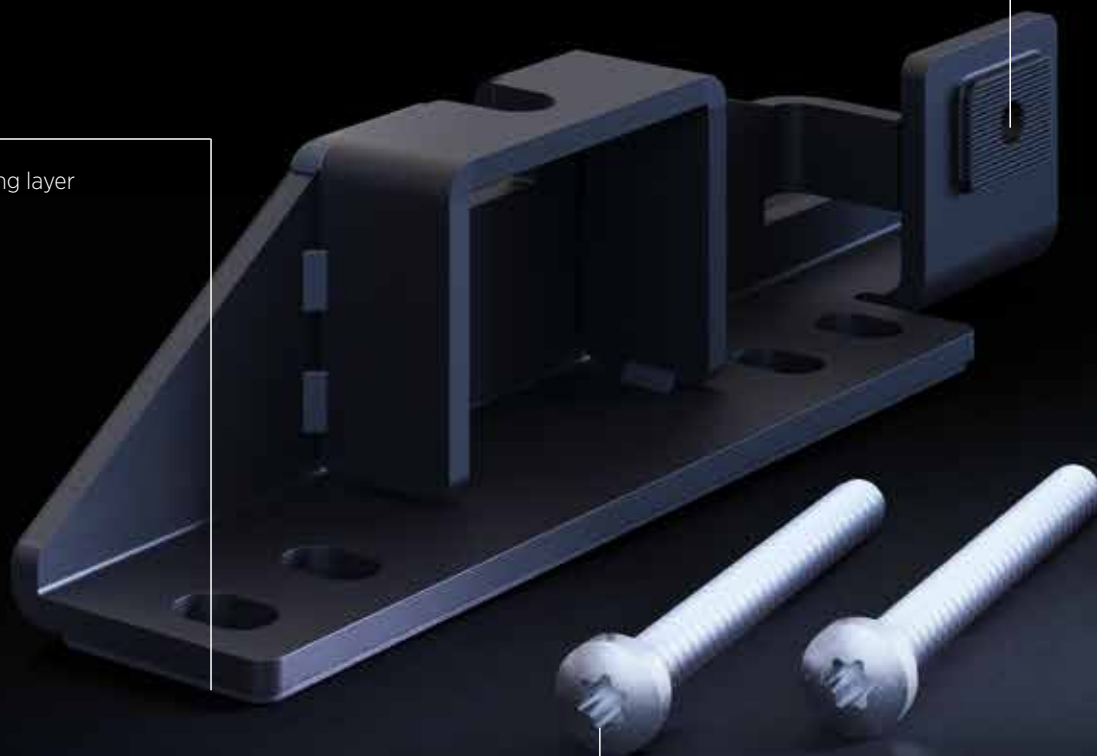
Connection for active stopper
for Soft-Close

Rubber with strong grip,
fixed on clamp
(with adhesive channel)

INFINITYSLIDE 69 | CLAMPING JAW FOR WOOD

Noise-absorbing layer

Connection for active stopper for Soft-Close



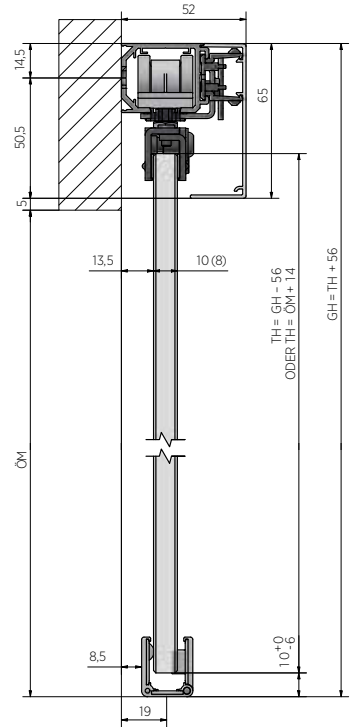
including screws

INFINITYSLIDE 69 | GLASS COMPLETE

Wall mounting



- | Max. door weight 69 kg
- | Glass type: tempered/laminated safety glass: 8 - 10.76 mm
- | Minimum door width: 500 mm
- | Door ratio: max. 1:2.5
- | Sales unit: 1 piece

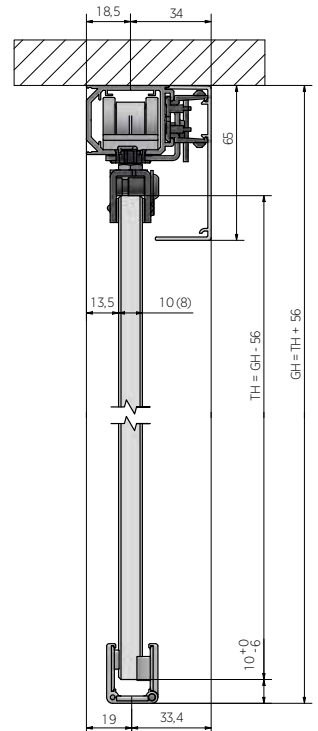


	Softclose	Aluminium EV1	sim. to stainless steel, polished	Stealth Black, polished
Length		Art. no.	Art. no.	Art. no.
2000 mm (1 door)	✓	31.1111.620.11	31.1111.620.12	31.1111.620.15
2500 mm (1 door)	✓	31.1111.625.11	31.1111.625.12	31.1111.625.15
3000 mm (1 door)	✓	31.1111.630.11	31.1111.630.12	31.1111.630.15
4000 mm (2 doors)	✓	31.1121.640.11	31.1121.640.12	31.1121.640.15

Ceiling Mounting



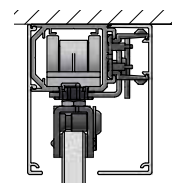
- | Max. door weight 69 kg
- | Glass type: tempered/laminated safety glass: 8 - 10.76 mm
- | Minimum door width: 500 mm
- | Door ratio: max. 1:2.5
- | Sales unit: 1 piece



	Softclose	Aluminium EV1	sim. to stainless steel, polished	Stealth Black, polished
Length		Art. no.	Art. no.	Art. no.
2000 mm (1 door)	✓	31.2111.620.11	31.2111.620.12	31.2111.620.15
3000 mm (1 door)	✓	31.2111.630.11	31.2111.630.12	31.2111.630.15
4000 mm (2 doors)	✓	31.2121.640.11	31.2121.640.12	31.2121.640.15

Rear cover for ceiling mounting (optional) Please note: Only needed if rear side of running track is visible.

1000 mm	31.2600.010.11	31.2600.010.12	31.2600.010.15
2000 mm	31.2600.020.11	31.2600.020.12	31.2600.020.15
3000 mm	31.2600.030.11	31.2600.030.12	31.2600.030.15
4000 mm	31.2600.040.11	31.2600.040.12	31.2600.040.15



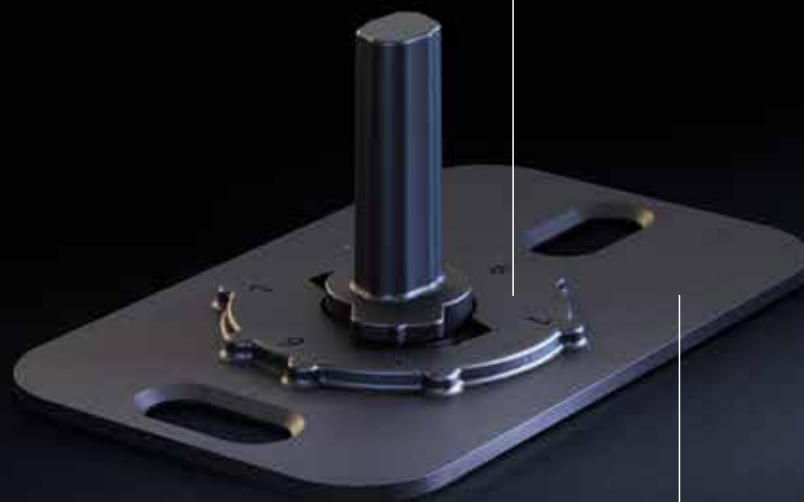
INFINITY **SLIDE 69** | GLASS INSTALLATION



INFINITYSLIDE 69 | BOTTOM GUIDE FOR GLASS



INFINITY**SLIDE 69** | BOTTOM GUIDE FOR WOOD



Adjustable
for 5 mm, 6 mm
or 7 mm groove width

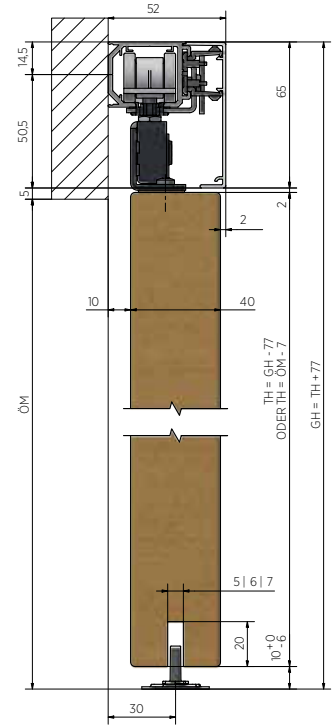
Very flat 1 mm only
Very stable made from metal

INFINITYSLIDE 69 | WOOD COMPLETE SET

Wall mounting



- | Max. door weight 69 kg
- | Wooden door 35 - 42 mm
- | Bottom guide for 5 - 7 mm groove width
- | Minimum door width: 500 mm
- | Door ratio: max. 1:2.5
- | Sales unit: 1 piece

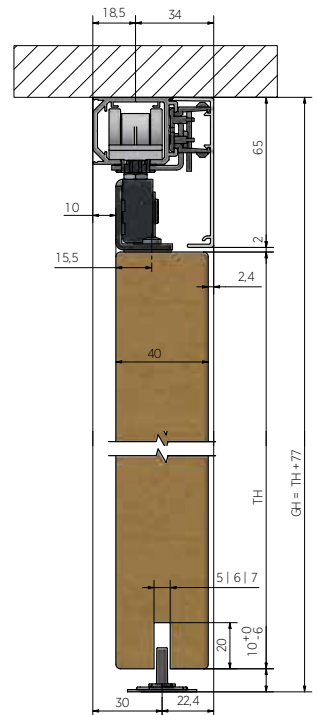


	Softclose	Aluminium EV1	sim. to stainless steel, polished	Stealth Black, polished
Length		Art. no.	Art. no.	Art. no.
2000 mm (1 door)	✓	31.1211.620.11	31.1210.620.12	31.1210.620.15
3000 mm (1 door)	✓	31.1211.630.11	31.1210.630.12	31.1210.630.15
4000 mm (2 doors)	✓	31.1221.640.11	31.1221.640.12	31.1221.640.15

Ceiling Mounting



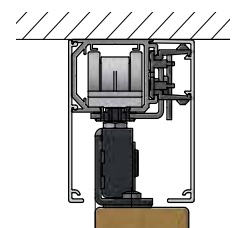
- | Max. door weight 69 kg
- | Wooden door 35 - 42 mm
- | Bottom guide for 5 - 7 mm groove width
- | Minimum door width: 500 mm
- | Door ratio: max. 1:2.5
- | Sales unit: 1 piece



	Softclose	Aluminium EV1	sim. to stainless steel, polished	Stealth Black, polished
Length		Art. no.	Art. no.	Art. no.
2000 mm (1 door)	✓	31.2211.620.11	31.2211.620.12	31.2211.620.15
3000 mm (1 door)	✓	31.2211.630.11	31.2211.630.12	31.2211.630.15
4000 mm (2 doors)	✓	31.2221.640.11	31.2221.640.12	31.2221.640.15

Rear cover for ceiling mounting (optional) Please note: Only needed if rear side of running track is visible.

1000 mm	31.2600.010.11	31.2600.010.12	31.2600.010.15
2000 mm	31.2600.020.11	31.2600.020.12	31.2600.020.15
3000 mm	31.2600.030.11	31.2600.030.12	31.2600.030.15
4000 mm	31.2600.040.11	31.2600.040.12	31.2600.040.15



INFINITY **SLIDE 69** | WOODEN INSTALLATION



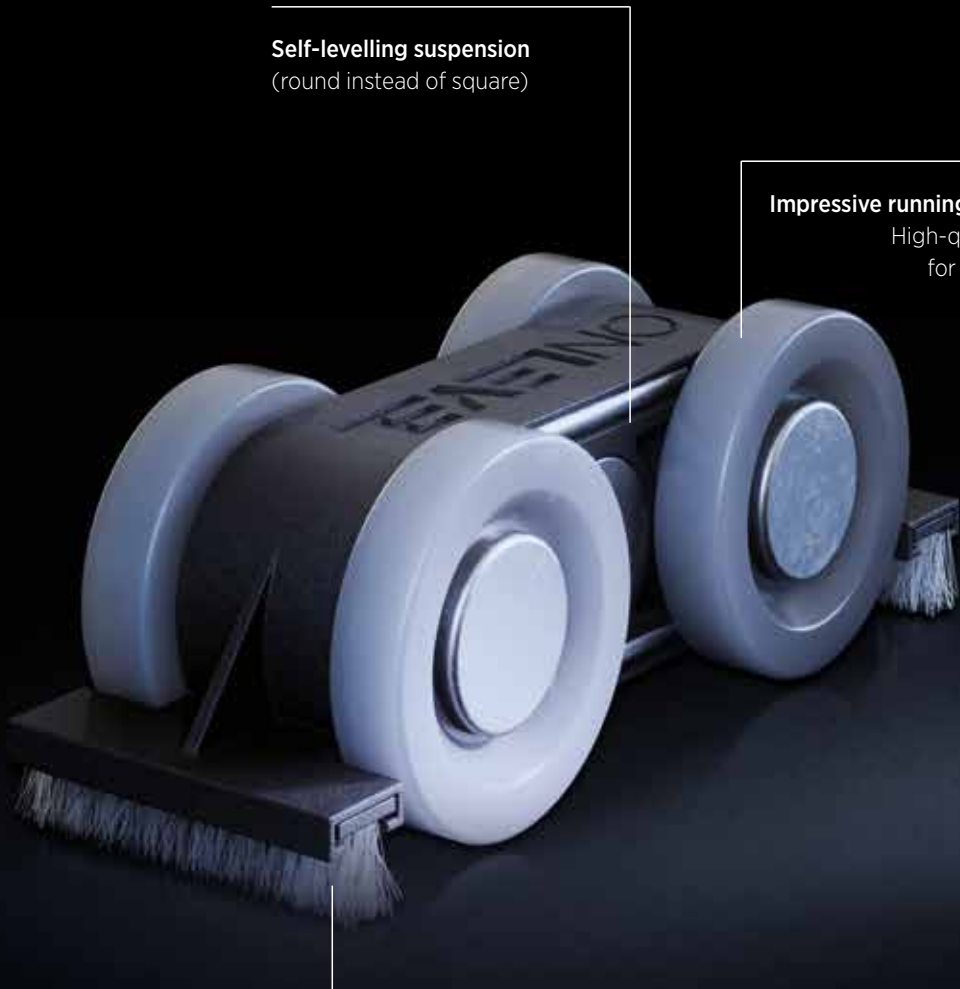
THE SELF-CLEANING RUNNING TRACK.

At the very beginning, any fitting runs nice and smooth.

A good installer cleans the running surface of the track and the rolls of the carriages. Dust and slight dirt accumulate again after a short time, however, for example due to the abrasion of the rollers inside the running track. This can be prevented easily though.

But once the dirt sticks to the rollers, this can turn into a problem. They don't run smoothly any more and moving the sliding door feels like driving on a gravel road.

Our innovative system therefore cleans itself. The brushes on the front and rear of our "self-cleaning carriage" keep everything clean. In this way, the movements of the door seem like its maiden voyage, even after many years - it'll run even longer than Forrest Gump.



Self-levelling suspension
(round instead of square)

Impressive running smoothness
High-quality bearing
for silent running

Self-cleaning carriage
Brush on front and rear
keeps the running surface clean

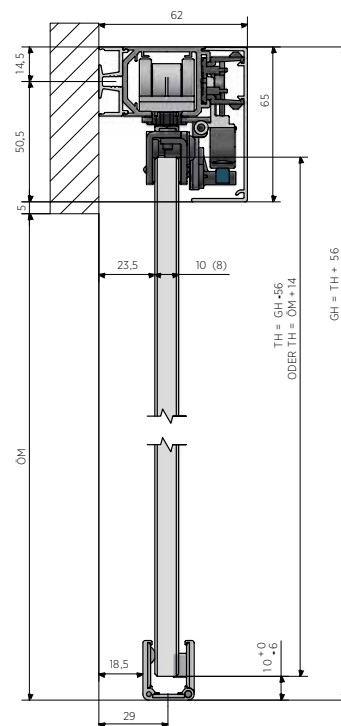
INFINITYSLIDE 69 | GLASS COMPLEMENTARY SET

Wall Distance Profile



- | Max. door weight 69 kg
- | For glass & wooden doors
- | Incl. extended end caps
- | Sales unit: 1 piece

With the aid of the wall distance profile, INFINITYSLIDE can easily be mounted **in front of the frame** or **in front of the base** with a visually appealing result. Your frame and base can remain installed as they are, avoiding you a lot of troublesome work.



	Aluminium EV1	sim. to stainless steel, polished	Stealth Black, polished
Length	Art. no.	Art. no.	Art. no.
2000 mm	31.3100.620.11	31.3100.620.12	31.3100.620.15

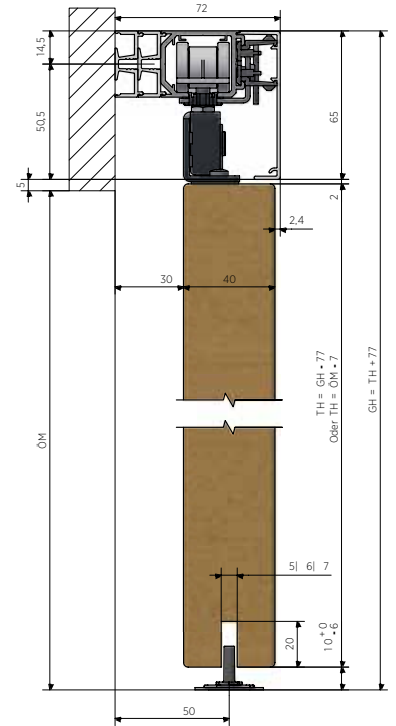
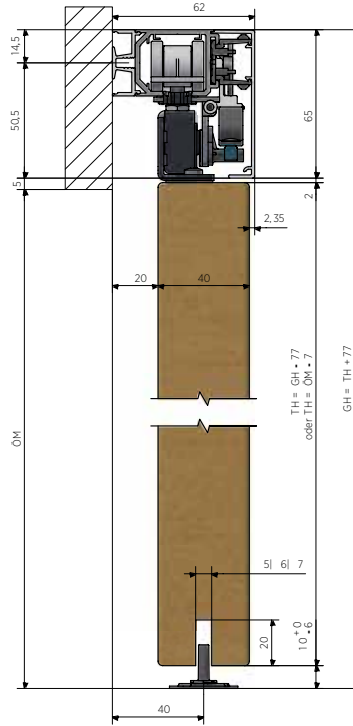
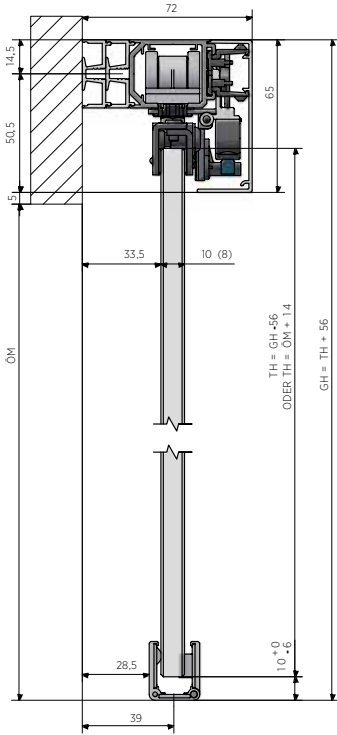
For mounting **in front of the frame**



For mounting **in front of the base**



INFINITY SLIDE 69 | GLASS COMPLEMENTARY SET



For mounting **in front of the frame**



For mounting **in front of the base**



SOFT-CLOSE WITH ACTIVE STOPPER.

For us, consummate perfection is reached when there is nothing more to leave out.

Things should work quickly and easily. That's why we have revolutionised the installation of Soft-Close. We have combined activator and stopper into one single component, the "active stopper". So, no need to mount both parts separately any more. But what is even better: Looking for the right installation position of both parts is no longer required either: We have simply included the right position as a fixed installation. In addition, you don't need to remember any longer to install the damper "pre-tensioned". Everything is already done – and that's "simply onlevelicious".

Quality that Proves Itself

In this way we make sure that Soft-Close reliably drags the door into the final position, even after many years. And what is more: This gives us the opportunity to provide the smallest door width in the market – if not worldwide: 25 cm door width, including a damper on both sides.

Why did nobody think about anything like this before? Because the ONLEVEL Innovation Hotbed is making a full start with their sliding doors only now.

Spring remains pre-tensioned
thanks to defined end position



Activator + stopper = active stopper

INFINITYSLIDE 69 | GLASS COMPLEMENTARY SET

Fixed Sidelight Set



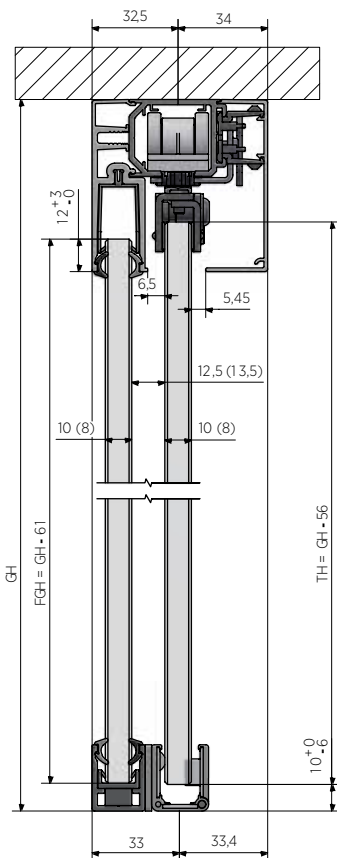
- | Fixed sidelight support profile
- | U-profile, horizontal
- | U-profile, vertical
- | (always 2800 mm)
- | Incl. rubber seals
- | Incl. end caps
- | Sales unit: 1 piece

		Aluminium EV1	sim. to stainless steel, polished	Stealth Black, polished
Length		Art. no.	Art. no.	Art. no.
2000 mm	for 1 sidelight	31.3010.620.11	31.3010.620.12	31.3010.620.15
3000 mm	for 1 sidelight	31.3010.630.11	31.3010.630.12	31.3010.630.15
3000 mm	for 2 sidelights	31.3020.630.11	31.3020.630.12	31.3020.630.15
4000 mm	for 2 sidelights	31.3020.640.11	31.3020.640.12	31.3020.640.15

INFINITYSLIDE Mounting tool for adjusting fixed sidelights: art. no. 31.9000.000.00

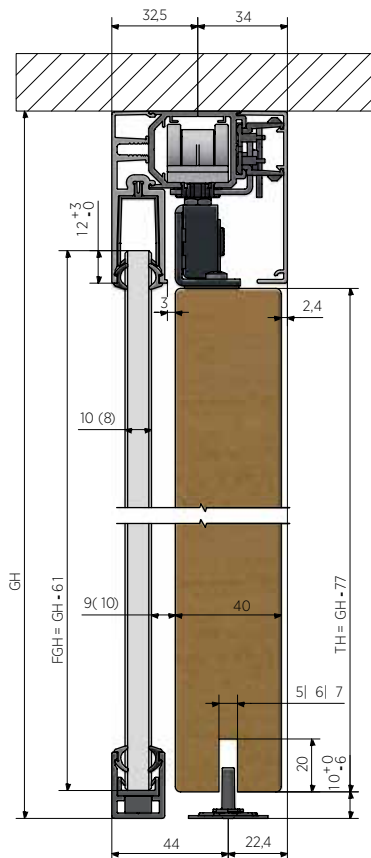
Sectional drawing

Fixed sidelight set with complete set for glass



Sectional drawing

Fixed sidelight set with complete set for wood



INFINITY **SLIDE 69** | GLASS & WOOD INSTALLATIONS



INFINITY SLIDE 69 | HANDLES FOR BONDING

Flush Handle, square



- | Dimensions: 60 x 60 mm
- | Height: 10 mm
- | 3M adhesive tape
- | In pairs
- | Sales unit: 1 piece (pair)

Modell	Aluminium EV1	sim. to stainless steel, polished	Stealth Black, polished
Square	Art. no.	Art. no.	Art. no.
	32.0010.065.11	32.0010.065.12	32.0010.065.15

Flush Handle, round



- | Maße: Ø 65 mm
- | Höhe: 10 mm
- | 3M-Klebeband
- | Paarweise
- | VE: 1 Stück

Modell	Aluminium EV1	sim. to stainless steel, polished	Stealth Black, polished
Round	Art. no.	Art. no.	Art. no.
	32.0020.065.11	32.0020.065.12	32.0020.065.15

Griffleiste



- | Maße: 15 x 300 mm
- | Höhe: 10 mm
- | 3M-Klebeband
- | Paarweise
- | VE: 1 Stück

Modell	Aluminium EV1	sim. to stainless steel, polished	Stealth Black, polished
Handle Strip	Art. no.	Art. no.	Art. no.
	32.1500.003.11	32.1500.003.12	32.1500.003.15

INFINITY **SLIDE 69** | **HANDLEBAR** FOR SCREW-FIXING

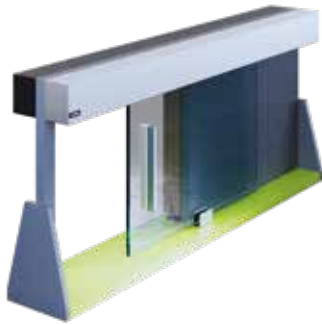
Handlebar



- | Dimensions: Ø 25 mm
- | For glass and wooden doors
- | In pairs
- | Sales unit: 1 piece

Model		Aluminium EV1	stainless steel, polished	Stealth Black, powder-coated
Handlebar	Axial dimension	Art. no.	Art. no.	Art. no.
300 mm	200 mm	On request	32.2501.003.21	32.2501.003.18-JB
500 mm	340 mm	On request	32.2501.005.21	32.2501.005.18-JB
700 mm	540 mm	On request	32.2501.007.21	32.2501.007.18-JB
1000 mm	800 mm	On request	32.2501.010.21	On request
1200 mm	1000 mm	On request	32.2501.012.21	On request
1500 mm	650 mm (2x)	On request	32.2501.015.21	On request
1800 mm	800 mm (2x)	On request	32.2501.018.21	On request

Table Display



| Sales unit: 1 piece

Eye-catching on any counter ... and:
fits into any boot.

Model	Glass/wood	Glass/fixed sidelight
Table Display	Art. no. 88.0100.000.00	Art. no. 88.0200.000.00

INFINITYSLIDE 69 | TABLE DISPLAY





ONLEVEL

ONLEVEL Ltd. | Units 6 & 7, Alexandria Court | Alexandria Drive
Ashton Commerce Park | Ashton-under-Lyne | Lancashire OL7 0QN | United Kingdom
T +44 0161 804 9500 | F +44 0161 804 9505 | info@onlevel-uk.com | www.onlevel.com